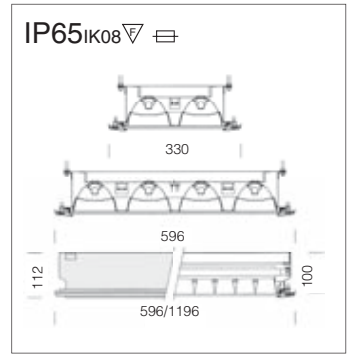


Interbalkan Medical Centre - Athens



Housing: pressed steel with anodized extruded aluminium frame.

Diffuser: protective 4-mm thick tempered glass or opal/frosted polycarbonate diffuser.

Coating: white epoxy-polyester powder, UV stabilized for aseptic environments.

Electric gear: 230V/240V-50Hz/60Hz power supply with electronic ballast.

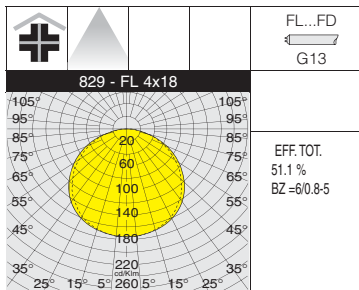
Equipment: 6.3A protection fuse. Supplied with frame and gasket.

Installation: unsuitable for mounting in non-inspectionable false ceilings.

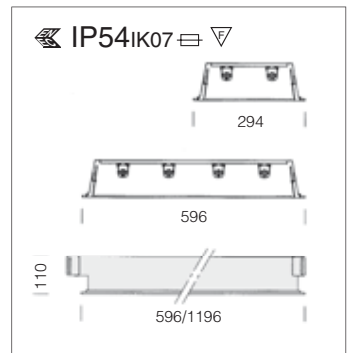
843 Ermetica - matt optics + glass

| wattage | colour | CELL-F | | CELL-E | | Lamps (Ta=25°C) |
|---------|---------|--------|-----------|--------|-----------|------------------------|
| | | weight | code | weight | code | Kelvin - olm - Cd - Ra |
| FL 2x28 | anodis. | 12.00 | 152070-00 | 12.50 | 152070-07 | 4000K - 2650lm |
| FL 2x54 | anodis. | 12.00 | 152071-00 | 12.50 | 152071-07 | 4000K - 4450lm |
| FL 4x14 | anodis. | 11.00 | 152072-00 | 11.80 | 152072-07 | 4000K - 1250lm |
| FL 4x24 | anodis. | 11.00 | 152073-00 | 11.80 | 152073-07 | 4000K - 1750lm |
| FL 4x28 | anodis. | 21.00 | 152074-00 | | | 4000K - 2650lm |
| FL 4x54 | anodis. | 21.00 | 152075-00 | 19.70 | 152075-07 | 4000K - 4450lm |

Dark light Optics: double parabolic louvres, in anodised 2mm thick matt aluminium. Anti-glare and anti-iridescence, very low luminance.



S. Elia Hospital - Caltanissetta (Italy)



Housing/frame: in steel sheet.

Diffuser: flat, prismatic glass.

Coating: white epoxy-polyester powder, UV stabilized for aseptic environments.

Optic unit: white reflective part.

829 Ermetica - with prismatic glass

| wattage | colour | CEL-F | | CEL-E | |
|---------|--------|--------|-----------|--------|-----------|
| | | weight | code | weight | code |
| FL2x18 | white | 6.00 | 152180-08 | 7.00 | 152180-09 |
| FL2x36 | white | 10.00 | 152181-08 | 10.50 | 152181-09 |
| FL4x18 | white | 8.50 | 152182-08 | 9.50 | 152182-09 |