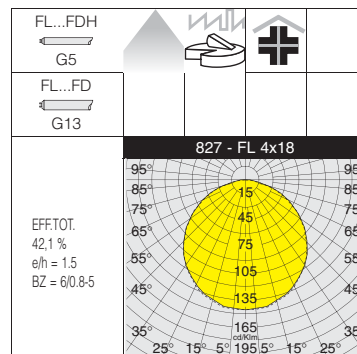


Housing/frame: in steel sheet.
Diffuser: opal, flat polycarbonate diffuser.
Coating: white epoxy-polyester powder, UV stabilized for aseptic environments.
Optic unit: white reflective part.

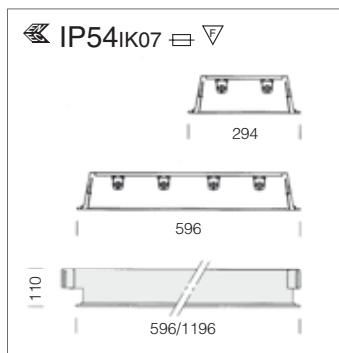


Safety springs for easy maintenance

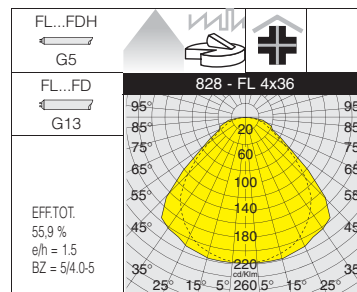


827 Comfort - opal diffuser						SHOOKS	PANELS
wattage	colour	CEL-F		CELL-F			
		weight	code	weight	code		
FL 2x18	white	4.00	156724-08			•	
FL 2x36	white	8.20	156725-08			•	
FL 4x18	white	6.85	156728-08			•	•
FL 4x36	white	13.00	156729-08			•	•
FL 4x14	white			7.10	156722-00	•	•

Recessed mounting brackets are welded on: as a result, a degree of protection IP54 can be maintained also on the housing. Not suitable for plasterboard.



Housing/frame: in steel sheet.
Diffuser: opal, flat polycarbonate diffuser.
Coating: white epoxy-polyester powder, UV stabilized for aseptic environments.
Optic unit: white reflective part.



828 Comfort - prismatic diffuser						SHOOKS	PANELS
puissance	couleur	CEL-F		CELL-F			
		weight	code	weight	code		
FL 2x18	white	4.00	156824-08			•	
FL 2x36	white	8.20	156825-08			•	
FL 4x18	white	6.85	156828-08			•	•
FL 4x36	white	13.00	156829-08			•	•
FL 4x14	white			7.10	156822-00	•	•

Recessed mounting brackets are welded on: as a result, a degree of protection IP54 can be maintained also on the housing. Not suitable for plasterboard.